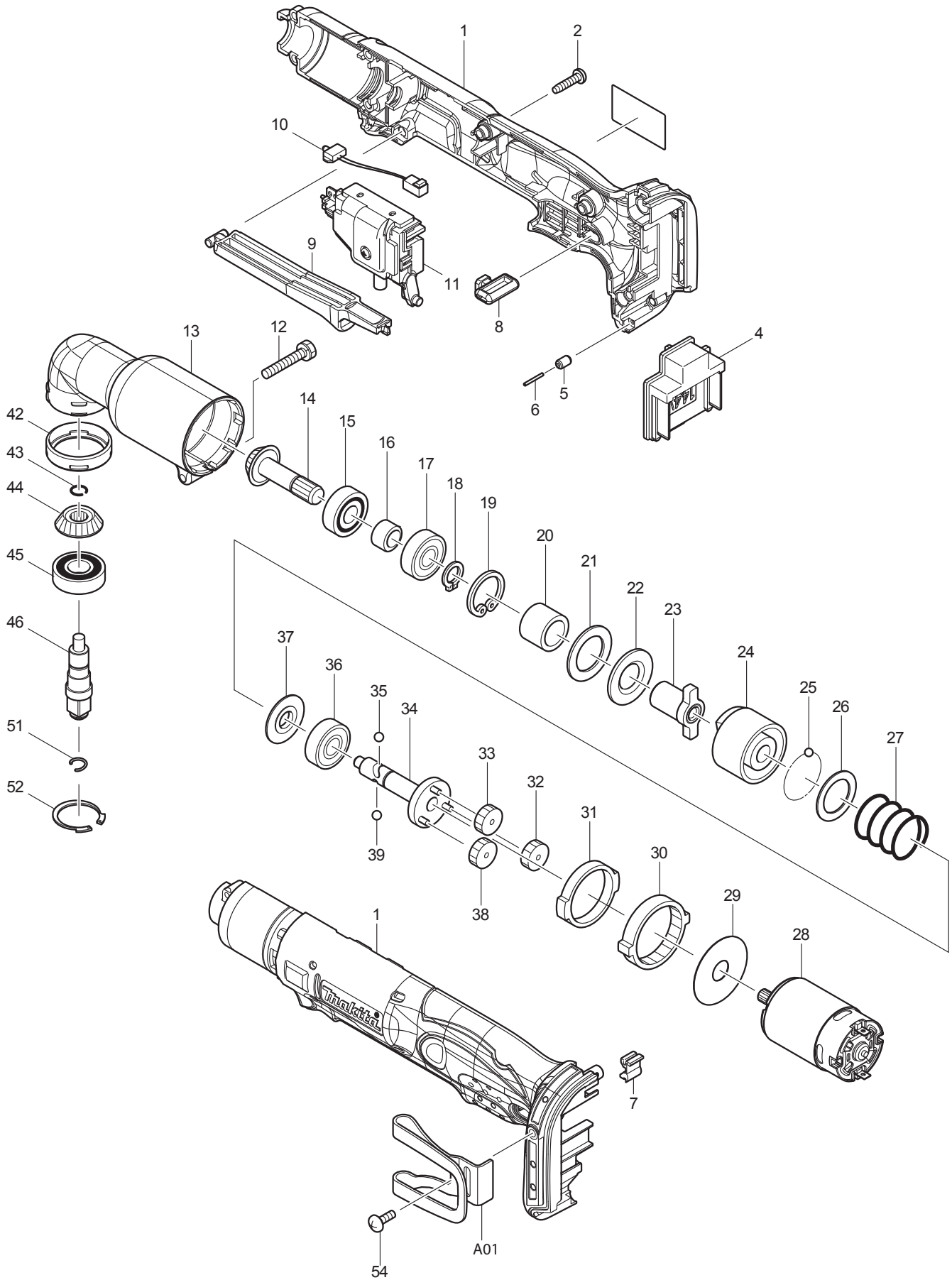




09 - 2011
BTL063Z / BTL063F
18V ANGLE IMPACT WRENCH



Item No	Type	Ref	Re Part No	Description	Qty	Unit
1			188395-2	HOUSING SET	1	SET
		INC.	263005-3	RUBBER PIN 6	2	PC.
2			265995-6	TAPPING SCREW 4X18	8	PC.
4	1		643812-4	* TERMINAL, BLACK	1	PC.
	2		643843-3	* TERMINAL, YELLOW	1	PC.
	3		643852-2	* TERMINAL	1	PC.
5			263036-2	RUBBER PIN 5	1	PC.
6			268184-2	PIN 1.5	1	PC.
7			424026-2	CUSHION	1	PC.
8			450126-2	FR CHANGE LEVER	1	PC.
9			450125-4	SWITCH LEVER	1	PC.
10			631778-0	LED CIRCUIT	1	PC.
11	1		650594-1	* SWITCH C3HY-1A-PLM	1	PC.
	2		638885-0	* SWITCH UNIT	1	PC.
12			265409-5	+ HEX. BOLT M5X30	1	PC.
13			152461-1	ANGLE HEAD COMPLETE	1	PC.
14			226720-0	ZEROL BEVEL GEAR 13	1	PC.
15			211064-1	BALL BEARING 6000	1	PC.
16			257660-1	SLEEVE 10	1	PC.
17			211061-7	BALL BEARING 6000LLB	1	PC.
18			961006-2	RETAINING RING S-10	1	PC.
19			962105-3	RETAINING RING R-26	1	PC.
20			257662-7	SLEEVE 15	1	PC.
21			261095-0	RUBBER WASHER 21	1	PC.
22			267120-5	FLAT WASHER 15	1	PC.
23			322689-7	ANVIL	1	PC.
24			322688-9	HAMMER	1	PC.
25			216001-0	STEEL BALL 3.5	22	PC.
26			267121-3	FLAT WASHER 20	1	PC.
27			233107-9	COMPRESSION SPRING 22	1	PC.
28			629846-1	DC MOTOR	1	PC.
29			267053-4	FLAT WASHER 12	1	PC.
30			226280-2	INTERNAL GEAR 69	1	PC.
31			257187-1	RING 32	1	PC.
32			226279-7	SPUR GEAR 29	1	PC.
33			226279-7	SPUR GEAR 29	1	PC.
34			154416-2	SPINDLE COMPLETE	1	PC.
35			216002-8	STEEL BALL 4.8	1	PC.
36			211064-1	BALL BEARING 6000	1	PC.
37			322719-4	WASHER 10	1	PC.
38			226279-7	SPUR GEAR 29	1	PC.
39			216002-8	STEEL BALL 4.8	1	PC.
42			424044-0	RUBBER RING 32	1	PC.
43			231990-8	RING SPRING 9	1	PC.
44			226721-8	ZEROL BEVEL GEAR 13	1	PC.
45			211131-2	BALL BEARING 6001DDW	1	PC.
46			324026-1	SPINDLE	1	PC.
51			231964-9	RING SPRING 7	1	PC.
52			962116-8	RETAINING RING R-28	1	PC.
54			251314-2	+ SCREW M4X12	1	PC.
C01			849173-2	CARTON F/BTL063Z, BTL063F	1	PC.
D01			533023-8	LEAD UNIT RED 110	1	PC.
D02			533024-6	LEAD UNIT RED 90	1	PC.

Item No	Type	Ref	Re Part No	Description	Qty	Unit
ACCESSORIES		- See Catalogue or visit www.makita.ca for more accessories information -				
A01	1		324705-1	HOOK F/ BL1430, BL1830	1	PC.
	2		346449-3	* HOOK F/ BL1430, BL1830	1	PC.
A02	1		DC18RA	CHARGER DC18RA	1	PC.
	2		DC18RC	CHARGER DC18RC	1	PC.
A03			194205-3	18V LI-ION BATTERY BL1830	1	PC.
A04	1		824816-7	PLASTIC CARRYING CASE	1	PC.
		INC.	419360-3	HANDLE	1	PC.
		INC.	163455-1	LATCH	2	PC.
	2		141493-3	PLASTIC CARRYING CASE	1	PC.
		INC.	419360-3	HANDLE	1	PC.
		INC.	163455-1	LATCH	2	PC.

SERVICE CHANGES

1. Changes on Switch, Terminal and Housing Set (Battery Protection Circuit)

(T/I# 84038)

(T/I# 94691)

Item No.	Description	Type 1	Type 2	Type 3
4	Terminal	643812-4	643843-3	643852-2
11	Switch	650594-1		638885-0

Above parts are completely interchangeable as a set.

Service Note:

Use TYPE 3 parts for repair of the model manufactured on or after March 2012 (June 2012 for Group 2 and 3) with using Yellow lead wire between Switch and Terminal.

- Use TYPE 2 parts for repair of the model manufactured before March 2012 (June 2012 for Group 2 and 3) without using Yellow lead wire between Switch and Terminal.

**** See Technical Information #94691 for Wiring Diagram Change**

2. Changes on Hook

Item No.	Description	Type 1	Type 2
A01	Hook	324705-1	346449-3

